

DC Green System

Healthy Business – Sustainable Business



Healthy Business

Dustcontrol®



In Norsborg, we have a test facility indoors where you can see how our comprehensive solutions clean the air.



You are welcome to visit our central vacuum facility in Norsborg.



Energy savings with a DC Green System!

Dustcontrol's DC Green System reviews the control system on the vacuum generator to save energy. If you use a DC Green System together with our vacuum producer, this generates an energy saving between 40-90%, depending on whether you use a new or existing central vacuum system.

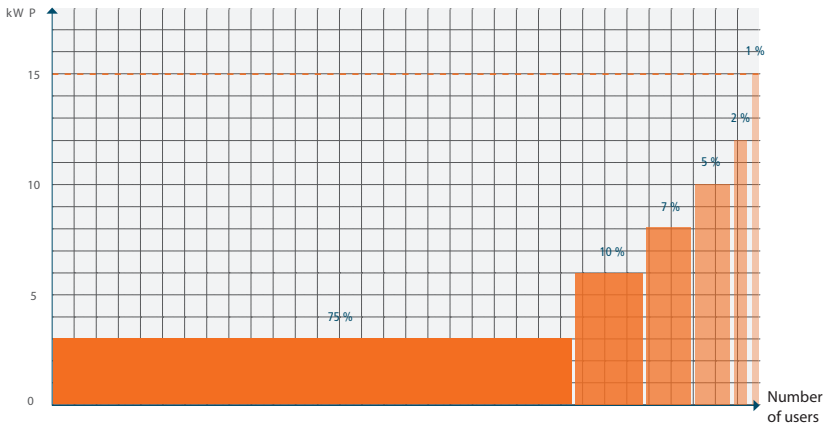
A DC Green System offers many advantages: Depending on the number of open outlets, a DC Green System generates as little vacuum as is necessary, since this controls the RPM on the vacuum generator. Also by using a demand control with a frequency converter, the capacity of the installation is improved compared to a normal system. The vacuum producer goes automatically down to a power saving state when none of the outlets are used. This also eliminates the need of micro-switches at each workstation.

1-5-year return on a DC Green System

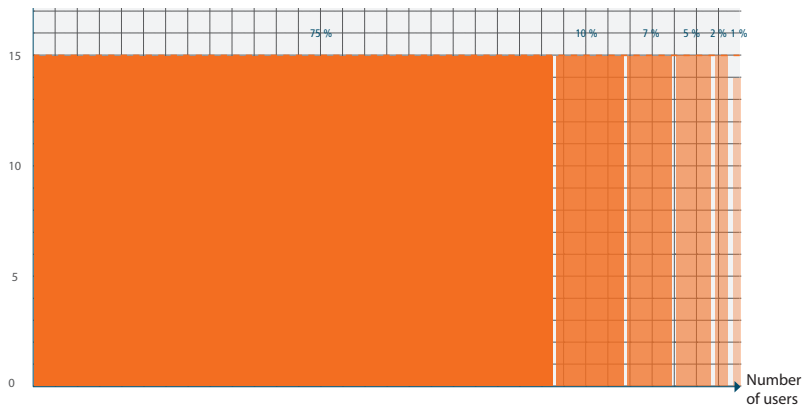
An investment in a DC Green System pays for itself in 1-5 years. Lower energy consumption contributes to economic savings and less environmental impact and increased lifetime for the equipment. Above all, we give your employees a healthy and more sustainable working environment. Healthy Business – Sustainable Business.

- Lower energy consumption
- No micro-switches
- Higher top performance
- Optimal suction ability in all cases
- Extended lifetime for the vacuum system
- Effective filter cleaning during operation
- Lower noise levels

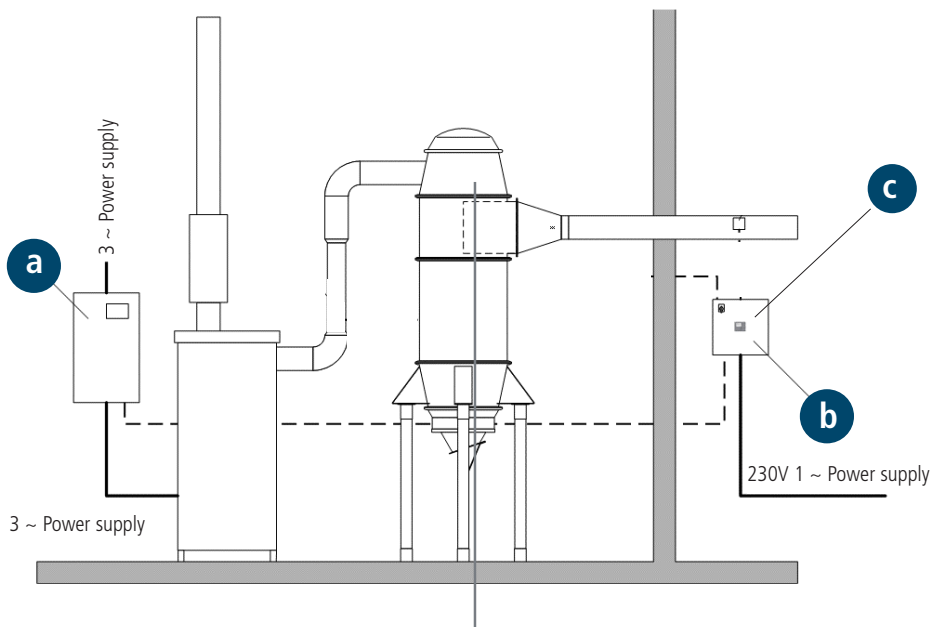
DC Green System™ Percentage of the total operating time



Traditional vacuum system Percentage of the total operating time



This is included in a DC Green System



DC Green System The system consists of:

- a** 3-phase frequency converter for the pump.
- b** Sensors that monitor the system. 230V control panel with the operator's display, PLC and necessary control connections.
- c** Sensors that monitor the system.

Healthy Business

Dustcontrol



Dustcontrol®

Technology for Healthy Business

Dustcontrol AB
Box 3088, Kumla Gårdsväg 14
SE-145 03 Norsborg, Sweden
Tel: +46 (8) 531 940 00
support@dustcontrol.se
www.dustcontrol.se