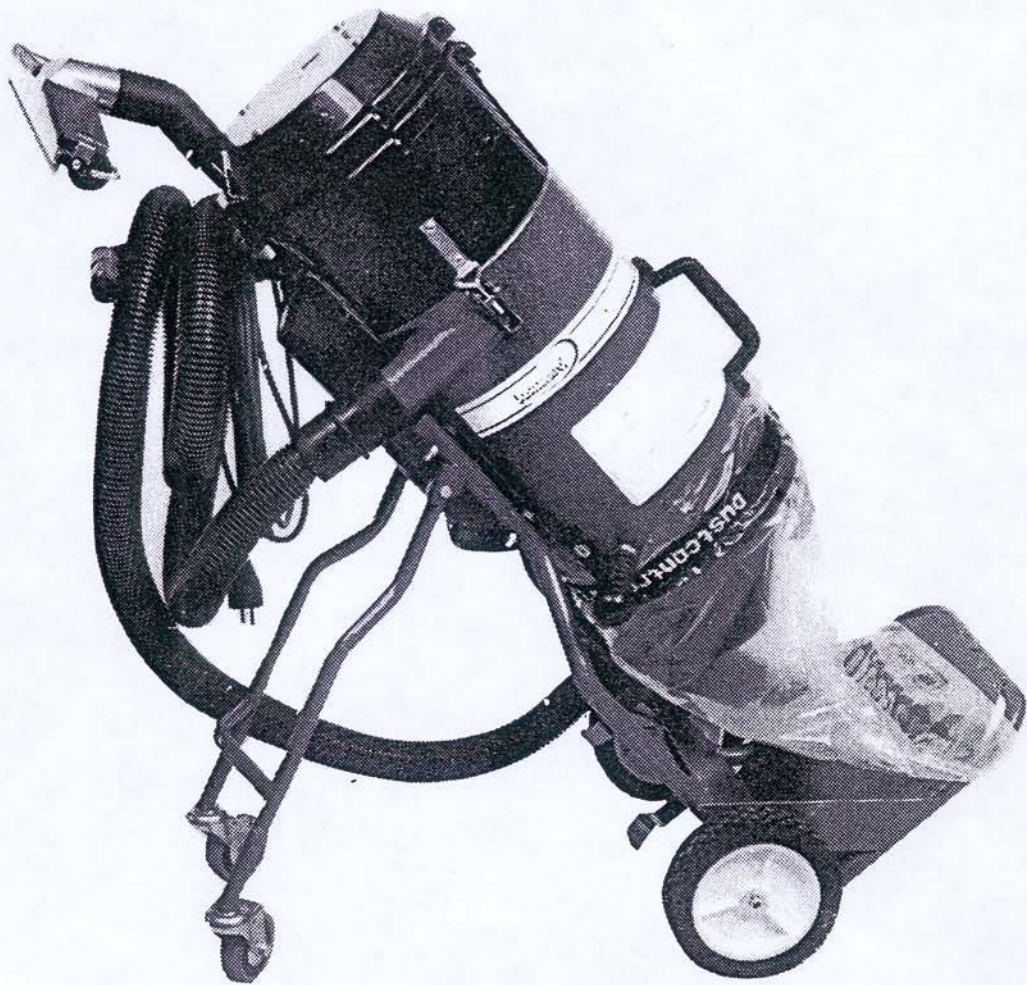


Dustcontrol

DC 2500



**INSTRUKTION
USER INSTRUCTION
BETRIEBSANLEITUNG**

DC 2500 USER INSTRUCTION

Model: DC 2500 EL

Manufactured by
Dustcontrol Sweden

Sold by:

Field of application:

The machine should be used for suction and separation of dried not inflammable dust. The machine fulfil the demands for separation of unhealthy dust.

TECHNICAL DATA

ACCESSORIES

ASSEMBLY

OPERATION

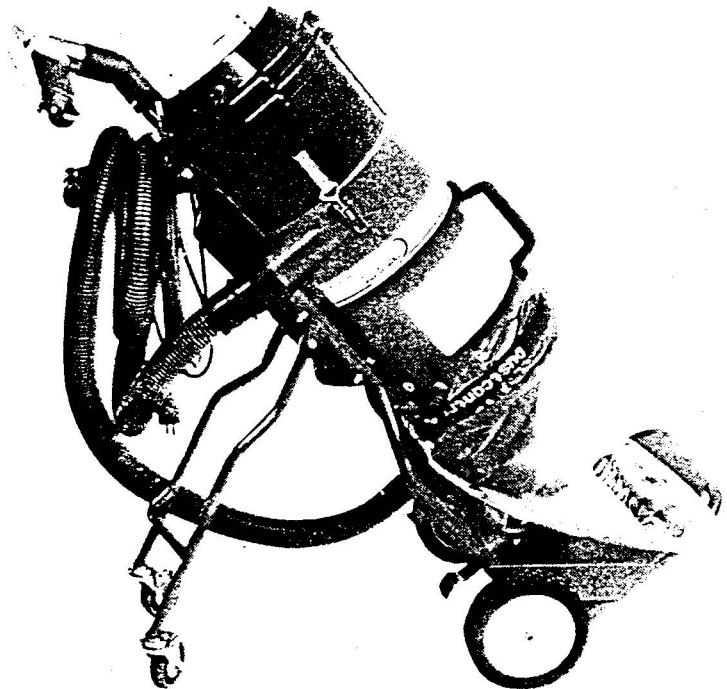
SERVICE

SAFETY CONSIDERATIONS

TROUBLE SHOOTING

WARRANTY

SPARE PARTS



The DC 2500 is, despite it's compact size, a full capacity Dustcontrol machine. It is stable, tough and reliable and particularly suited to spot extraction in many different applications ie: welding, grinding, sanding and cleanup with the 38mm program. Dust separation is in any case as efficient as with the larger Dustcontrol machines.

The design is ergonomic and appealing. With a very low sound level of 65dB(A) at 1m distance, the DC 2500 is suitable for use in areas which are sensitive to noise. The direct drive two stage high pressure fan is integrated into the units top. The 1200W capacity fan is double insulated for higher safety.

Dustcontrol reserves the right to change specifications without notice and is under no obligation to alter previously delivered products. Dustcontrol is not responsible for errors or omissions in this catalogue.

Part no 9010
Edition: 2
9412

TECHNICAL DATA

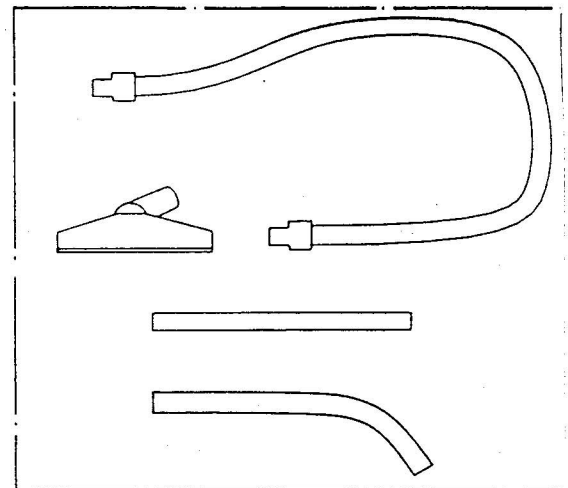
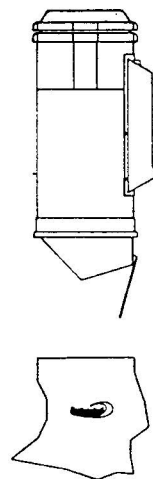
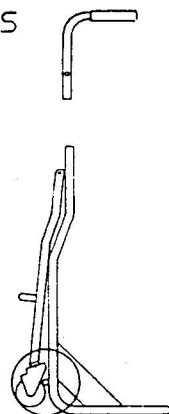
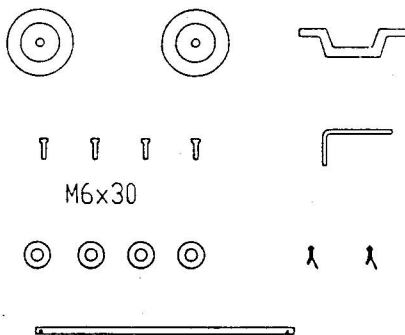
HxWxL (mm)	990x420x400
Weight	16 kg
Inlet	Ø 50 mm
Hose length	3m (Ø38mm)
Flow at open inlet	200 m ³ /h
Power consumption	1200W, 220V/110V
Filter area, fine filter	2.4 m ²
Degree of separation, fine filter (DIN 24184/3)	99.99 %
Filter area, micro filter	0.5 m ²
Degree of separation microfilter (DOP)	>99.97 %
Collecting sack, 10l (mm)	450x550
Sound level	70 dB(A)

ACCESSORIES

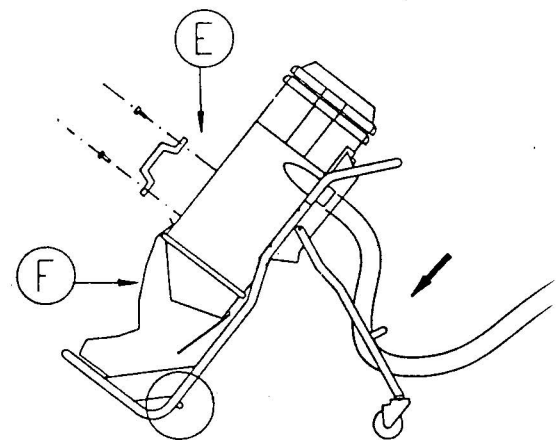
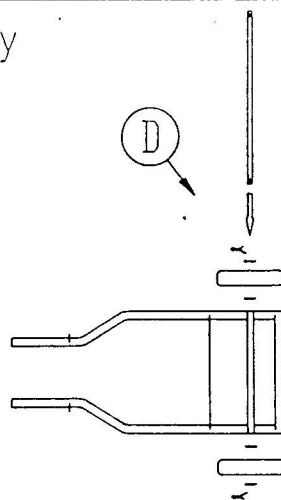
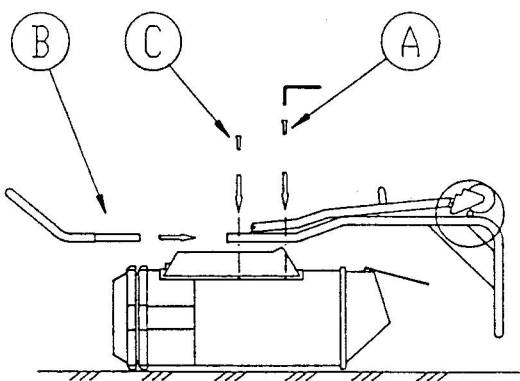
Description	Part no
Fine filter, standard	404901
Fine filter, washable	4889
Fine filter, Gore-Tex	4885
Microfilter	4133

ASSEMBLY

Innehåll/Inhalt/Contents



Montage/Montage/Assembly



OPERATION:

Connect the machine to a suitable power source according to the specification plate on the machine. If the electrical cord on the machine becomes damaged it should be replaced.

The filter should be cleaned 1-2 times per day with continuous running or if the machine is equipped with a filter monitor, when this is in the red area. Turn the unit off and shake the filter with the shaking handle on the side of the machine. The cleaning action is not increased if greater force is used.

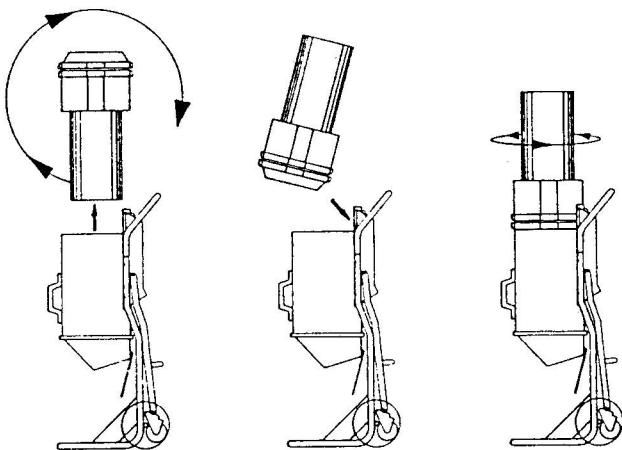
The plastic sack should be changed only after the filter has been shaken. The sack should be changed when the dust level is about 5cm under the foot valve. The plastic sack should be sealed after removal from the machine.

Use only original plastic sacks.

SERVICE:

With cleaning and maintenance on the machine, the power cable should be disconnected from the supply.

The fine filter 4049 should be changed at least once per year. Use only original spare parts. If the machine is used with a microfilter/HEPA filter, this should be changed every 300 running hours. Use breathing protection when changing the filter. Used filters should be sealed in a plastic sack and disposed of properly. Filter change:



When changing the filter, check the gasket. An unsealed gasket can cause discharge of unhealthy dust. Never use old gaskets or pirate filters. Consequently, the machine cannot be used for suction of unhealthy dust with a pirate filter even if this filter has been tested and approved by a test institution.

Check regularly that the electrical cable is not damaged.

The DC 2500 should be performance tested at least once per year because it may be used with hazardous materials. Worn parts must be replaced.

Never compromise the function of the DC 2500, use only original spare parts.

The fan is maintenance free.

SAFETY CONSIDERATIONS

- Never let the suction come into contact with parts of the body as the machine generates a high negative pressure, injury may result.
- Do not repair the electrical components yourself, get somebody qualified. Faults may cause injury.
- Check the electrical cable regularly for faults.
- Avoid that hose and cord get clamp defects.
- Always follow the regulations pertinent to the material that you are working with i.e. asbestos.

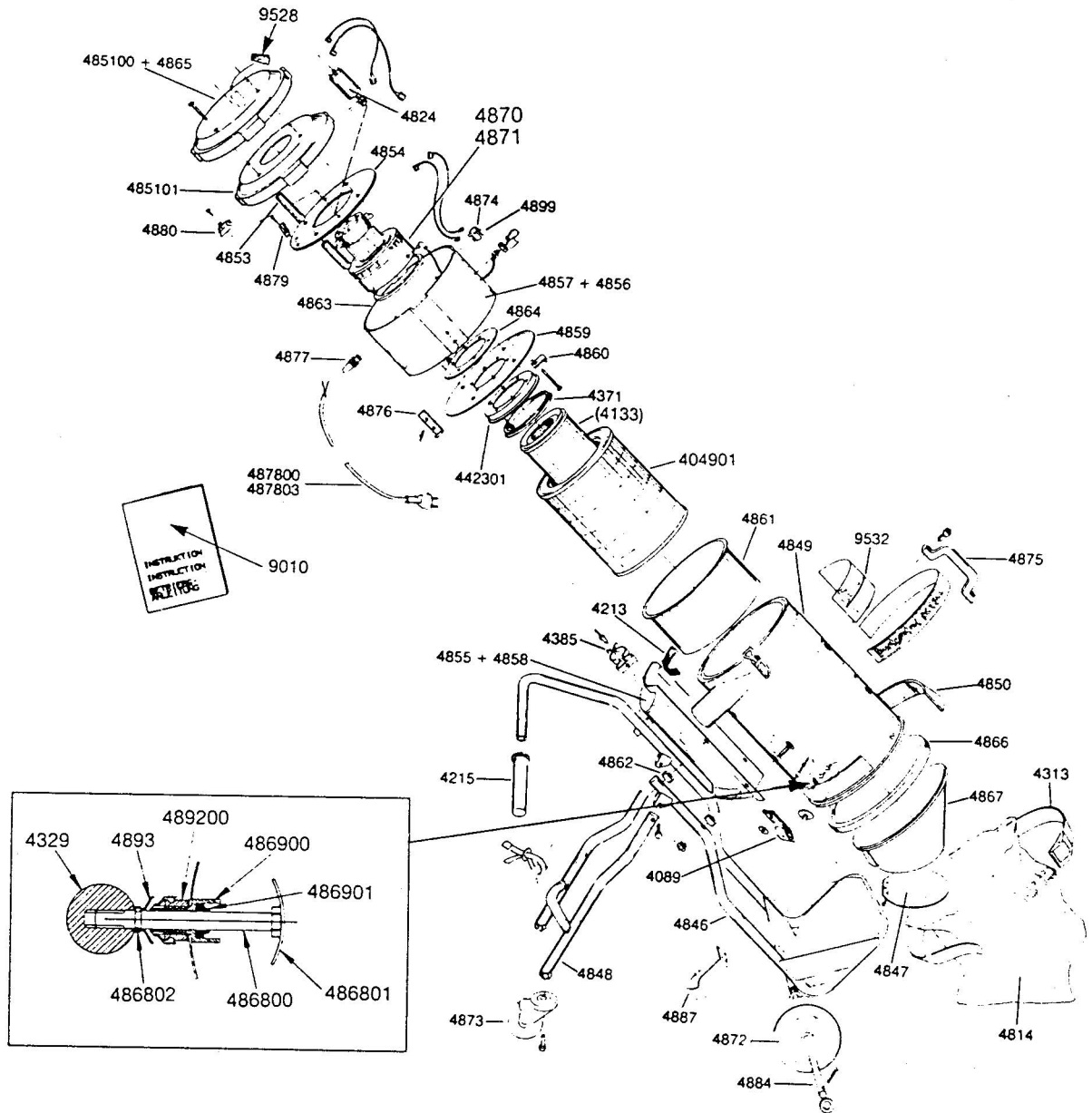
TROUBLE SHOOTING

PROBLEM	FAULT	SOLUTION
* Motor will not start.	* Machine not connected.	* Make sure connection.
* The motor stops directly after starting.	* Incorrect fuse.	* Change to correct circuit.
* Fan runs but no suction.	* Hose not connected. * Hose plugged. * No plastic sack on the cyclone	* Connect the hose . * Find and remove block. * Mount the correct sack.
* Fan runs but poor suction.	* Hole in the hose. * Plugged filter. * Hose too long or too small. * Hose is kinked.	* Change or repair hose. * Clean or change filter. * Change the hose. * Check and free.
	* Machine top is mounted incorrectly. * Dust is packed in the cyclone.	* Adjust the mounting. * Take off the top and clean out.
* Machine blows dust.	* Filter is perforated or has come loos.	* Check the filter and change if necessary. * Order service.
* Abnormal sound from machine.		

WARRANTY

The warranty period for this machine is two years and covers manufacturers faults. The warranty is valid under the condition that the machine is used under normal conditions on the task for which it was designed and is maintained properly. Normal wear is not covered by this warranty. Service performed by other than Dustcontrol or its authorized agent voids automatically the warranty. No other warranty express or implied is applicable.

SPARE PARTS DC 2500



Part no	Description	Part no	Description	Part no	Description
404901	Filter	4854	Plate	4871	Motor 1200W, 110V 50 Hz/60 Hz
4089	Band holer	4855	Outlet housing	4872	Wheel
4133	Microfilter/HEPA filter	4856	Sound absorbent	4873	Wheel
4213	Gasket	4857	Housing	4874	Switch
4215	Handle	4858	Sound absorbent	4875	Handle
4313	Strap	4859	Membrane	4876	Hook
4329	Ball	4860	Guide piece	4877	Bend protector
4371	V-ring	4861	Protection cone	487800	Cable std (110100, 110102)
4385	Bracket	4862	Spacer	487802	Cable L=2m (Art 110105)
442301	Fastener	4863	Gasket	487806	Cable L=6 m (Art 120100)
4814	Plastic bag	4864	Flange	4879	Cable strain relief
4824	Condenser	4865	Sound absorbent	4880	Terminal strip
4846	Chassis	4866	Rubber connector	4884	Axle
4847	Flap	4867	Cone	489200	Nut
4848	Frame strap	486800	Axle	4893	Shaker bellows
4849	Cyclone	486801	Plate	805502	Low pressure gauge
4850	Strip	486802	Clamp	9010	User instruction DC 2500
485100	Cover	486900	Guide sleeve	9528	Machine plate
485101	Cover	486901	Stripper	9532	Maintenance instruction
4853	Spacer	4870	Motor 1200W 220/240V		